

# ZOOMLION TECHNOLOGY WITH INGENUITY AND CARE



## The world's leading mining machinery intelligent manufacturing base

Zoomlion Mining Machinery Park is located in the East Manufacturing Corridor of Changsha, covering an area of 240,000 square meters, with industry-leading intelligent and flexible mining machinery production lines.

The production categories cover the whole process of open-pit mines, including drilling, digging, transportation and mineral processing equipment, with high standards of processing, assembly technology and strict quality control, every machine delivered with the ultimate quality.

**ZOOMLION**

**Zoomlion Heavy Industry Science & Technology Co.,Ltd.**

Add: No.361, South Yinpun Road, Changsha, Hunan Province, P.R.China 410013      Email: earthmoving@zoomlion.com  
Copyright©2025 Zoomlion. All rights reserved. Reproduction and copying of any part of contents is not allowed for any purposes without Zoomlion's approval.  
Note: Materials and specifications are subject to change without notice. Featured machines in photos may include additional equipment.



# ZOOMLION 5.5-TONNAGE CRAWLER HYDRAULIC EXCAVATOR ZE55GU



**ZOOMLION**

# VISION CREATES FUTURE

Engine power:  
**35 kW @ 2200 rpm**

Operating weight:  
**5800 kg**

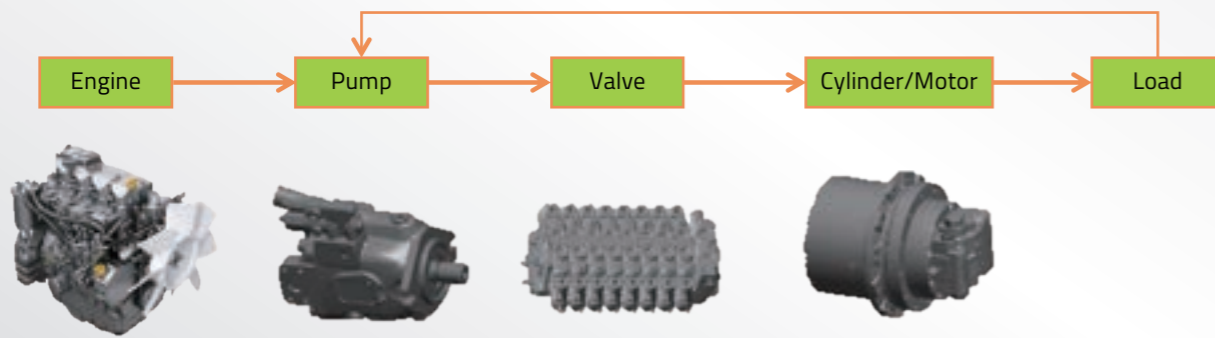
Standard bucket capacity:  
**0.16 m<sup>3</sup>**



# PRECISE CONTROL

## Customized load sensing system + electronically controlled pump

Perfect handling performance is achieved through load independent flow distribution technology. The action is more precise, operation is more flexible and response is faster.



## Fuel-saving

Improve operator efficiency and maneuverability by automatically switching gears according to load under various operating conditions. When driving dodging operations, according to the load pressure automatically switch the low speed mode (large displacement, high torque), play a powerful driving performance. When driving straight or uphill, switch to high-speed mode (small displacement, low torque) and move quickly to the job site without shifting gears.



The bucket capacity is increased, and the excavation/loading capacity is improved; Improved digging ability, more powerful work; High power engine, strong power, high output torque, and improved work efficiency;

## Efficient

Through the intelligent adjustment response function of the electronic control pump and hydraulic valve, the working speed of each actuator is improved, so as to improve the working efficiency of the whole machine.

## More reliable key components

Key hydraulic parts adopt internationally renowned brands to ensure the high reliability of the hydraulic system.



## Flexible and efficient

The boom can use the deflection cylinder to achieve the left and right deflection of the boom, to achieve smooth operation on the wall, and no longer worry about the construction next to the obstacle.



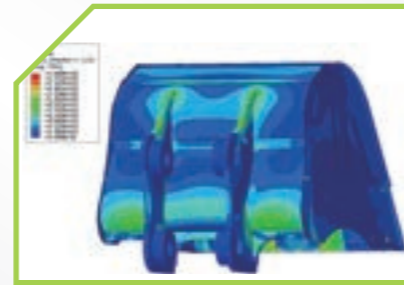
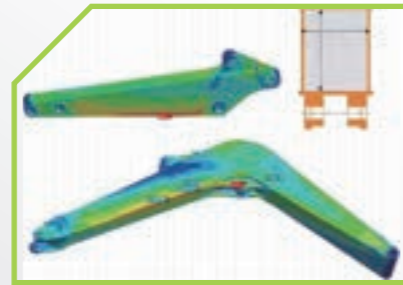
One of ZE55GU's highlights is short tail swing. The tail rotation is only 85mm beyond the track, so it can be used in narrow conditions to avoid scratching or collision with the surrounding environment due to the tail rotation. This design means that it can work in narrow spaces and on busy roads, not limited by space.

# RELIABLE AND DURABLE

## More track roller



The number of unilateral support wheel is 5, and the single support wheel has small load and higher reliability. When a single support wheel fails, it has less impact on the driving stability, and the track is less likely to derail. The whole machine stability is improved.



## Enhanced structural parts design

The boom and arm are formed in one body with large cross-section area. The key positions of the boom, arm, upper frame and lower frame are specially strengthened for higher bearing capacity to work in various harsh conditions.



## Carrier roller innovative design

The carrier roller is replaced by track roller. It's more firm and more durable being fixed at both ends.

# EASY MAINTENANCE

## Fully open design of rear hood + right doors

Maintenance space is large thanks to the fully open design of the rear hood, right doors. Places for inspection and maintenance can be seen at a glance, making maintenance more convenient.

## "One-stop" maintenance design

All maintenance can be easily completed on the ground, reducing maintenance time. Maintenance cost is low with upgraded maintenance parts.



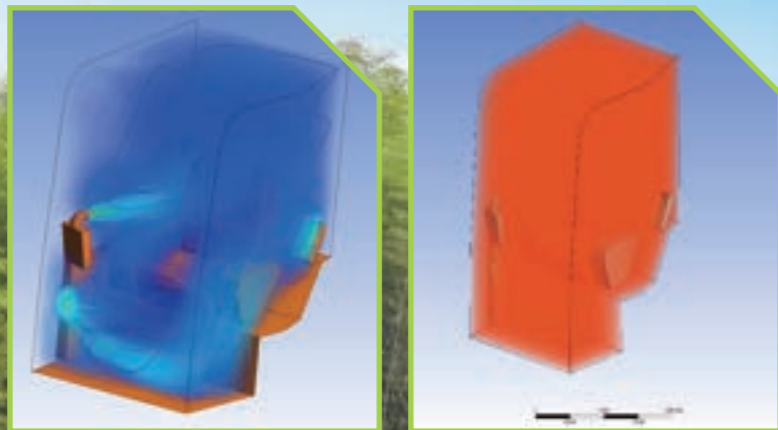
Air cleaner



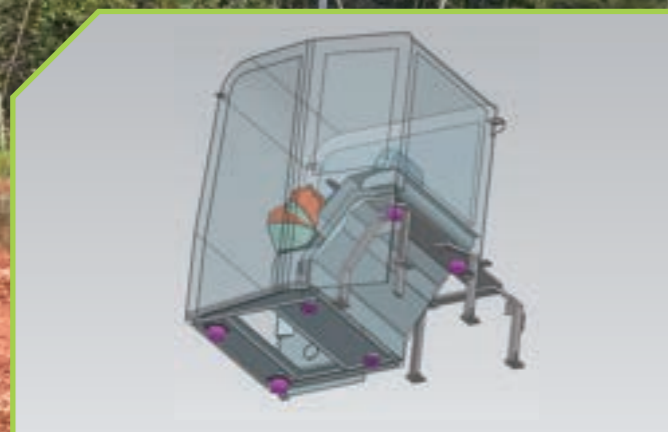
Filter



# MORE COMFORTABLE



New air duct design, 8 air outlet, air outlet adjustment range, 360° flow field around the driver, good cooling effect. The large displacement compressor, with 46% more cooling capacity than the competition, enters the cab and is as cool as an autumn day.



Under the cab add integrated floor rack, front and rear: silicone oil shock absorption, middle: rubber shock absorption (auxiliary support). The installation accuracy is higher than that of the general segmented baseplate but the damping effect is better.



Large space/feature-rich cab + newly designed air duct, large displacement compressor + overall shock absorption in cab + suspension seat



## Rearview camera

The rearview camera is optional. The rear view is clearly displayed on the monitor, so travel operation is safer.



## 5.7 inch LCD screen

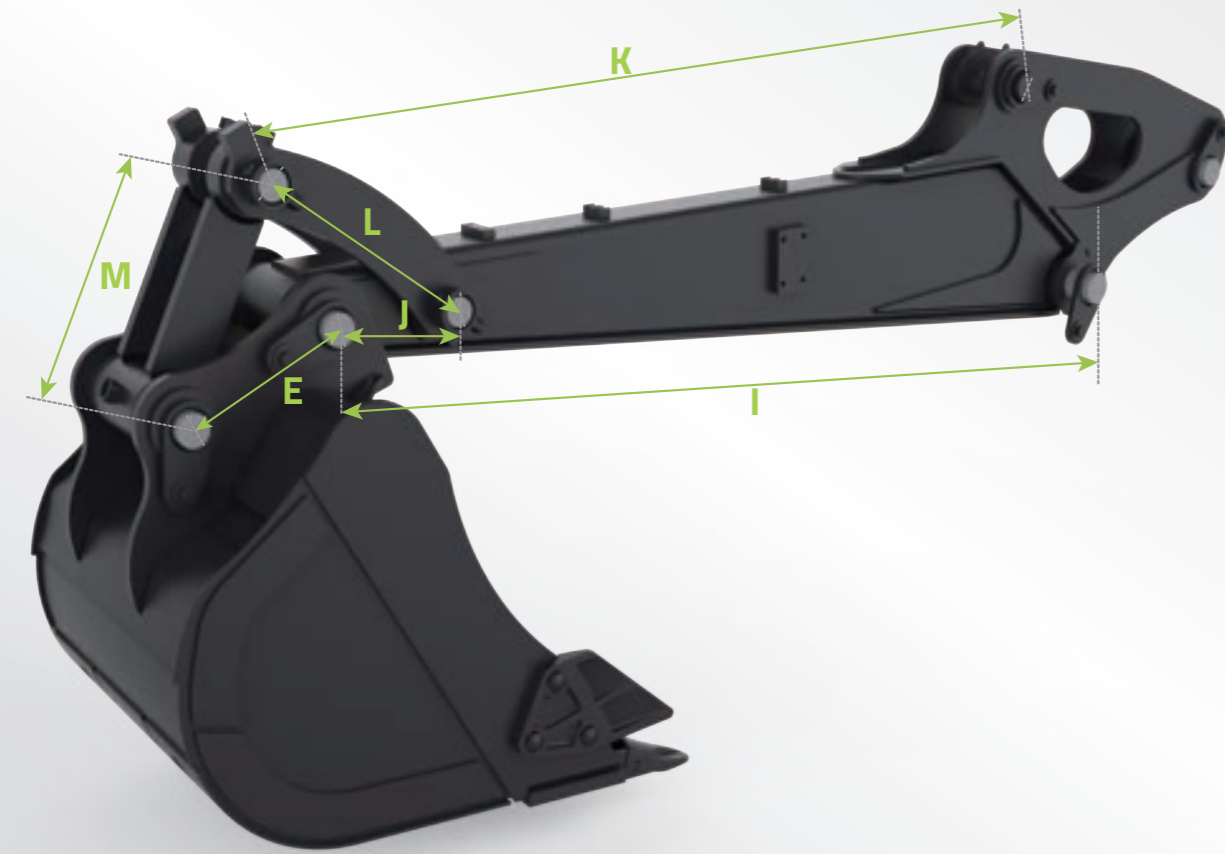
Brand new human-computer interactive operating system; lots of functions; simple and easy to use.



## Integrated silicone buttons

Silicone buttons and navigation knobs are positioned centralized, so the operation is more comfortable

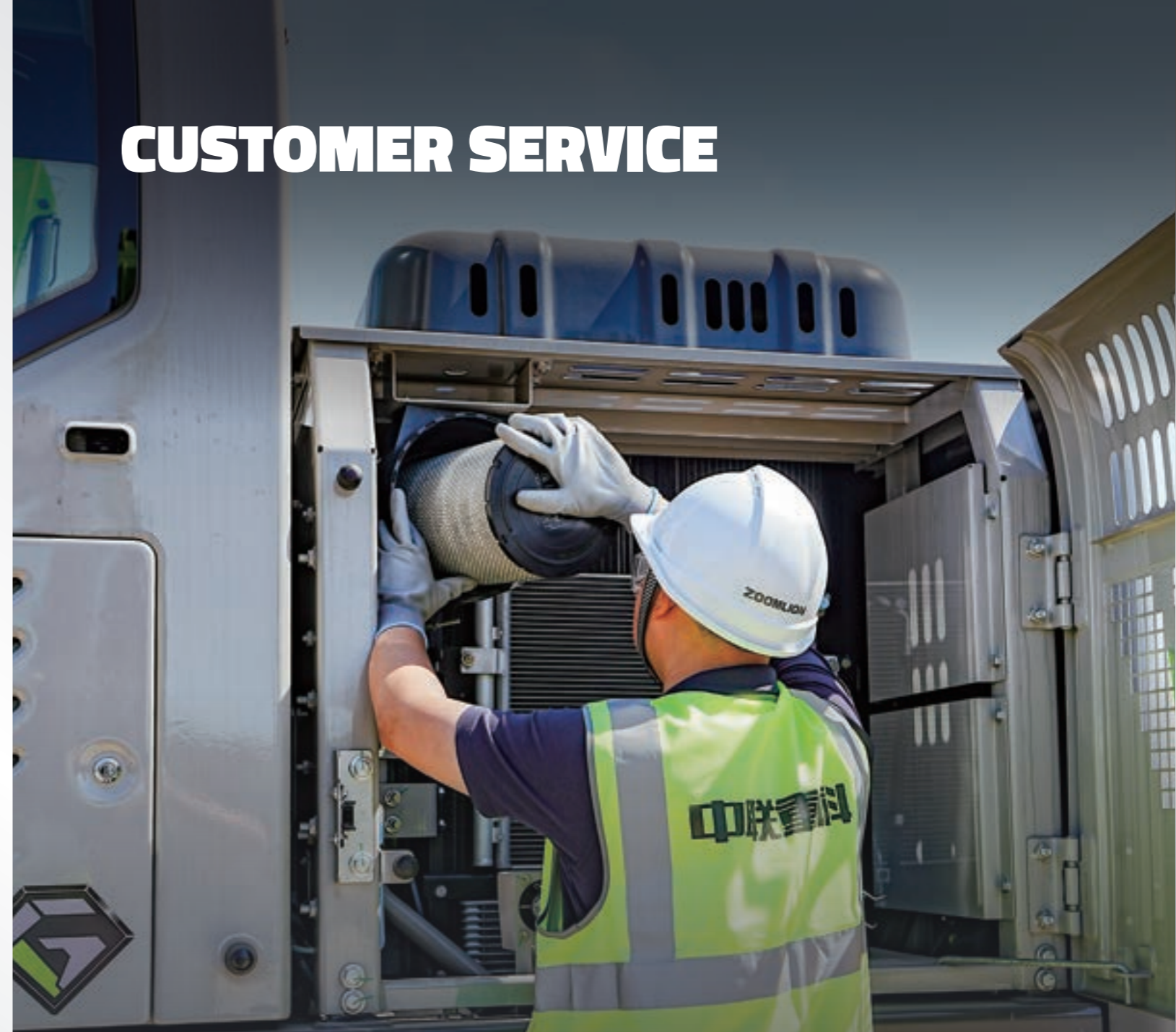
# CUSTOMER SERVICE



Unit: mm

MODEL	A	B	C	D	E	F	G	H	I
ZE55GU	145	145	45	45	234	268	8	22	1572

MODEL	J	K	L	M
ZE55GU	200	1485	335	315



Zoomlion's slogan is "Vision creates future". It is not just a simple slogan, but an unshakable determination to exceed our customer's expectations. Zoomlion has always upheld this belief and tries to implement it in everything that we do for customers. The service we offer to customers is to think about what they think about and worry about what they worry about.

Zoomlion promises that once you choose us, we are ready to respond with the first arrival and solution any time, anywhere.

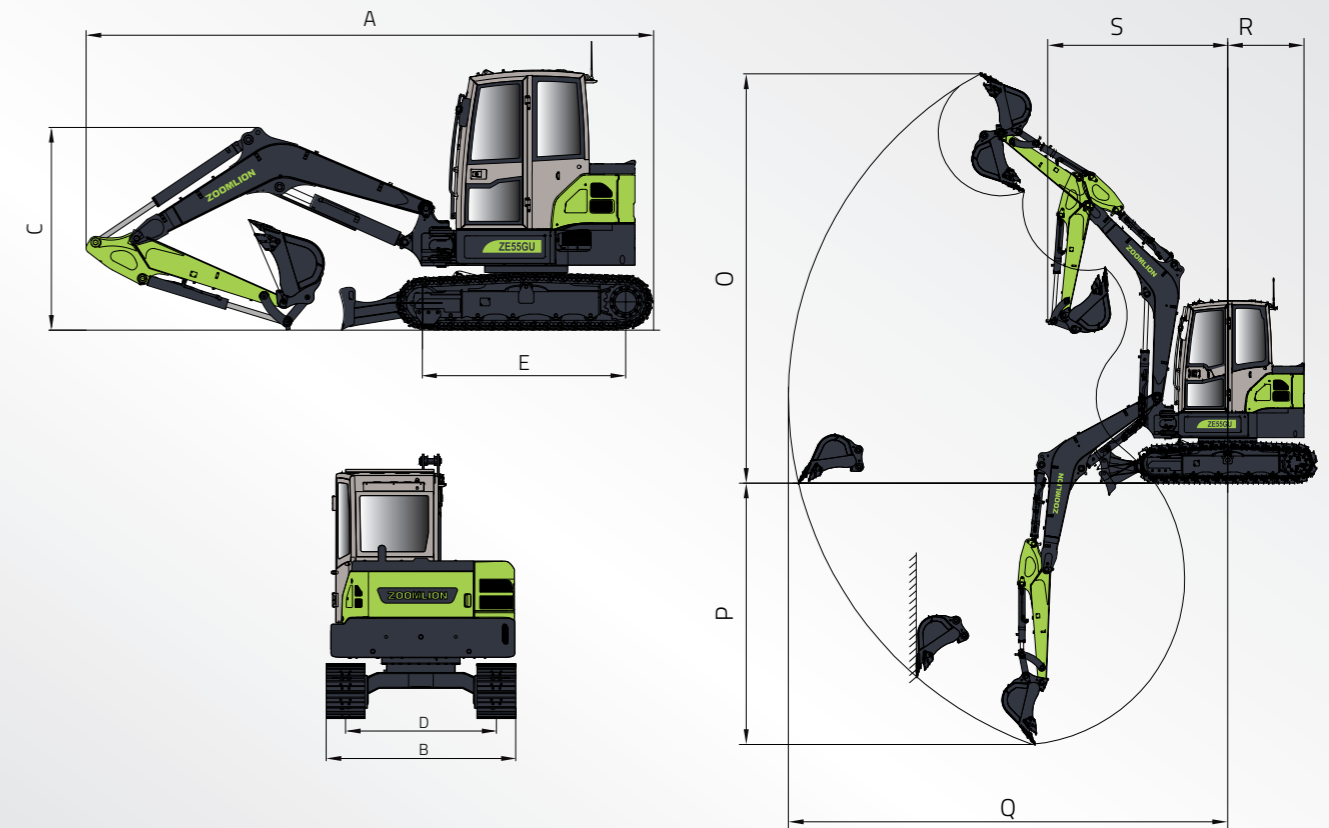
Various service content, professional service teams, global service networks and systematic technical support are readily available from Zoomlion for an effective response and solution upon your request no matter where you are in the world and what time it is.



# TECHNICAL SPECIFICATIONS

ZE55GU	
<b>ENGINE</b>	
Brand	Kubota
Model	V2607
Rated power	35kW@2200rpm
Emission standards	EU Stage V
Displacement	2.615 L
<b>HYDRAULIC SYSTEM</b>	
Main pump	Swash plate variable displacement piston pumps Maximum flow: 154.8 L / min
Maximum pressure - Equipment	24.8 MPa
Maximum pressure - Swing	20.6 MPa
Maximum pressure - Travel	21 MPa
Maximum pressure - Pilot system	3.5 MPa
<b>UPPER FRAME</b>	
Maximum swing speed	10 r/min
Maximum swing torque	12 kN·m
<b>UNDERCARRIAGE</b>	
Number of carrier rollers (each side)	1(Two sides supported track rollers)
Number of track rollers (each side)	5
Number of track guard (each side)	1
Travel speed (high)	4 km/h
Travel speed (low)	2.2 km/h
Maximum drawbar pull	48 Kn
Gradeability	70%
<b>SERVICE REFILL CAPACITIES</b>	
Fuel tank	68 L
Engine coolant	9 L
Engine oil	10.2 L
Final drive (each side)	1.3 L
Hydraulic system	85 L
Hydraulic tank	52 L
<b>WORK EQUIPMENT</b>	
Boom length	2850 mm
Arm length	1570 mm
Digging force of bucket	44 kN
Digging force of arm	28 kN

ZE55GU	
<b>OVERALL DIMENSIONS</b>	
A Overall length	5550mm
B Overall width	1960mm
C Overall height	2550mm
D Track gauge	1560mm
E Length of track on ground	1990mm
<b>WORKING RANGE</b>	
O Maximum digging height	5560mm
P Maximum digging depth	3670mm
Q Maximum digging reach	6135mm
R Tail swing radius	1065mm
S Minimum front swing radius	2500mm

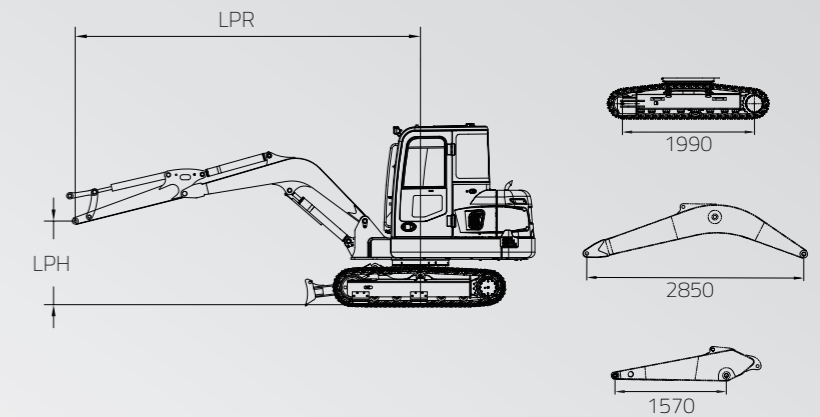
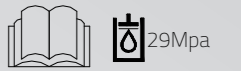


# STANDARD & OPTIONAL FEATURES

Category	Features	ZE55GU
<b>Powertrain</b>	Air cleaner	●
<b>Hydraulic system</b>	Boom explosion-proof valve	●
	Stick explosion-proof valve	●
	ISO/SAE control mode switching(Switching between left and right hands)	○
	Broken pipeline (unidirectional/bidirectional)	●
	Accessory pipeline	○
	Multi tool pipeline (hydraulic shear pipeline)	○
<b>Cab</b>	Quick change pipeline	○
	ROPS	●
	Fire Extinguisher	●
	Mechanical Suspension Seat	●
	Air Suspension Seat	○
	Air conditioner	●
	Sunshade	○
	Ordinary handle	●
<b>Lower structure</b>	Multi functional controller	○
	Rubber track	○
	Rubber track block	○400mm
<b>Bucket</b>	400mm track	●
	Standard bucket	●0.16m <sup>3</sup>
<b>Electrical system</b>	Audible and visual alarm	●
	Emergency stop switch	●
	Emergency stop switch (outside the cab)	○
	12V power interface	●
	Rear view camera	●
	Front roof light of the driver's cab	●2
	Rear roof light of the driver's cab	○1
	Boom work light	●1
	Fuel filling pump	○
	GPS	●
AM/FM radio	●	
<b>Attachment</b>	Recommended breaking hammer drill rod diameter 1	68mm
	Triangle breaking hammer	○
	Hydraulic quick change connector (double safety) (Quick change pipeline must be selected)	○
	Tilt quick change connector	○
<b>Other</b>	Secondary counterweight	○
	Driver's cabin rearview mirror	●3个

● Standard      ○ Optional

# LIFT CAPACITY



Do not attempt to lift or hold any load that is greater than these rated values at their specified lift-point radius and height.

The lift point is located at the centreline of the bucket pivot mounting pin on the arm.

LPH	Rated lift capacity (kg)									
	LPR									
	1.5m		2m		3m		4m		Max	
m	End	Side	End	Side	End	Side	End	Side	End	Side
3							1130	800	1010	610
2					1700	1150	1300	790	1020	540
1					2330	1070	1500	760	1080	520
0					2400	1030	1590	730	1130	540
-1	2410	2410	2840	1910	2200	1030	1490	700	1130	610
-2	3520	3520	2500	2000	1620	1040				

Capacities marked with an asterisk (\*) are limited by hydraulic capacities. See Note 1.

- The mass of slings and any auxiliary lifting devices shall be deducted from the rated load to determine the net load that may be lifted.
- Lift capacities are based on the machine standing on a firm, uniform supporting surface. The user shall make allowances for job conditions such as soft or uneven ground.
- The operator should be fully acquainted with the Operator's Manual and the Operating Safety Manual furnished by the manufacturer before operating the machine.

- NOTE 1 Lift capacities shown do not exceed 75% of minimum tipping loads or 87% of hydraulic capacities.
- NOTE 2 The least stable position is over the side.
- NOTE 3 Lift capacities apply only to the machine as originally manufactured and normally equipped by the manufacturer.
- NOTE 4 The total mass of the machine is 5800kg. Included in this mass are 400mm triple grouser shoes, 2.85m boom, 1.57m arm, 582.5kg counterweight, all operating fluids and a 75kg operator.
- NOTE 5 Lift capacities are in compliance with ISO 10567:2007.